



# Elektrotechnik Karl-Heinz Mauz GmbH

**GM16-030-08300-360-10D** (Artikel-Nr. 860517)

**EKULIT**

## *SPECIFICATIONS:*

Item	Unit	Specification
Rated voltage	VDC	6.0
Gear Ratio		1/360
Rotation		CCW
Motor Position		All position in horizontal
Temperature	°C	0~30
Humidity	%	30~95
<b>• Performance of Motor</b>		
No-load Speed	rpm	9.000±10%
No-load Current	mA	35 (max.)
Stall Current	mA	400 (max.)
Stall Torque	g.cm	24
<b>• Performance of Gear motor</b>		
Output Speed	rpm	25±10%
No-load Current	mA	55 (max.)
Stall Current	mA	400 (max.)
Stall Torque	kg.cm	3
Rated Torque	g.cm	1000
Rated Current	mA	100 (max.)
Noise	dB	48
<b>• The Dimension</b>		
The Outside Shaft Length	mm	10
Shaft End Play	mm	0.05-0.30
Screw Size		M2*0.35
Dia of Shaft	mm	Ø3*2.5

Adresse: **Felix-Wankel-Str. 35 • 73760 Ostfildern/Nellingen**

Tel: **+49-711/3414023**

Fax: **+49-711/3414024**

E-mail: **info@ekulit.de** Web site: **www.EKULIT.de**

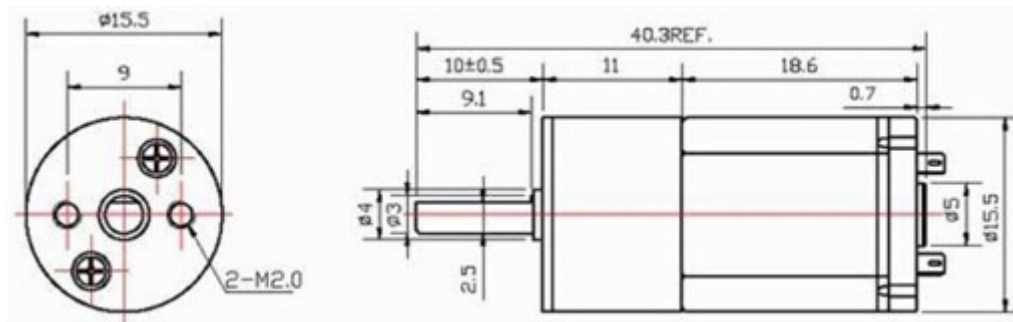
# Elektrotechnik Karl-Heinz Mauz GmbH

**GM16-030-08300-360-10D** (Artikel-Nr. 860517)

**EKULIT**

**DIMENSIONS :**

(Unit: mm)



**Curve drawings:**

