



Elektrotechnik Karl-Heinz Mauz GmbH

ETR-35/21A (Artikel-Nr. 210030)

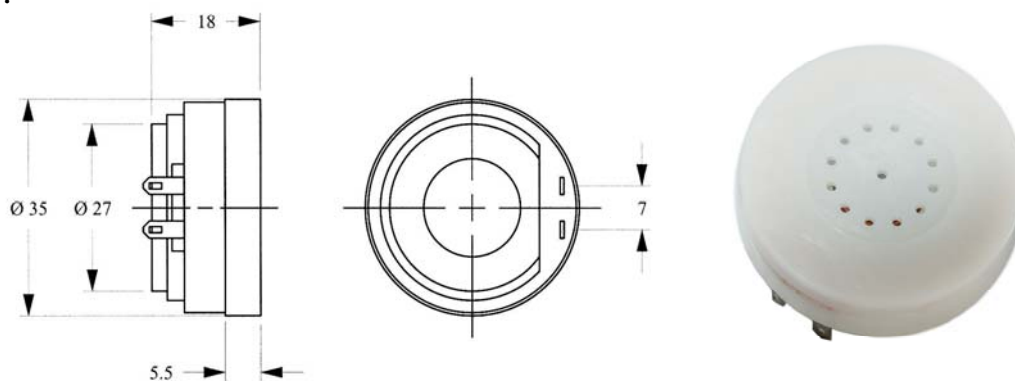
EKULIT

SPECIFICATIONS:

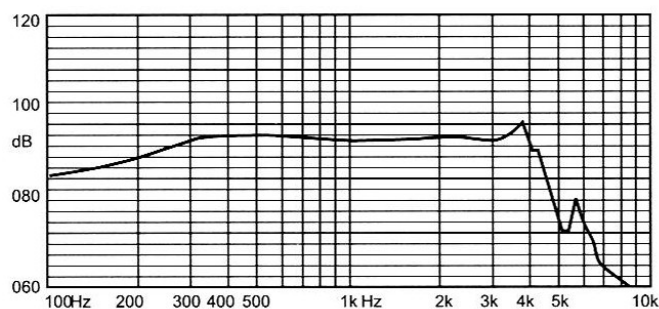
| TYPE | UNIT | ETR-35/21A |
|-----------------------|--------------|---------------|
| Nominal Impedance | Ω | 150 \pm 15% |
| Nominal Input Power | mW | 30 |
| Maximum Input Power | mW | 50 |
| Effective Freq. Range | Hz | 200~4.000 |
| Sound Pressure Level | dB | 99 \pm 2/w |
| Frame Material | | ABS |
| Magnet Material | | Rare Earth |
| Operating Temperature | $^{\circ}$ C | -20~+60 |
| Storage Temperature | $^{\circ}$ C | -30~+70 |

Dimensions :

(Unit: mm)



Typical Frequency response curve:



Adresse: **Felix-Wankel-Str. 35 • 73760 Ostfildern/Nellingen**

Tel: **+49-711/3414023**

Fax: **+49-711/3414024**

E-mail: **info@ekulit.de**

Web site: **www.EKULIT.de**