



# Elektrotechnik Karl-Heinz Mauz GmbH

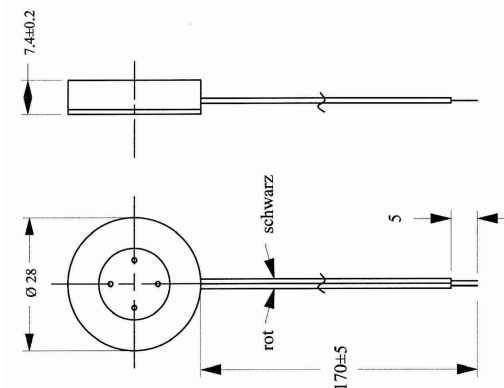
**ETR-28W** (Artikel-Nr. 210025)

**EKULIT**

## SPECIFICATIONS:

TYPE	UNIT	ETR-28W
Nominal Impedance	$\Omega$	150 $\pm$ 15%
Nominal Input Power	mW	10
Maximum Input Power	mW	60
Effective Freq. Range	Hz	200~4.000
Sound Pressure Level	dB	93 $\pm$ 2/w
Frame Material		ABS
Magnet Material		Rare Earth
Operating Temperature	$^{\circ}\text{C}$	-20~+60
Storage Temperature	$^{\circ}\text{C}$	-30~+70

Dimensions :  
(Unit: mm)



Typical Frequency response curve:

