



Elektrotechnik Karl-Heinz Mauz GmbH

EPZ-27MS44W (Artikel-Nr. 190051)

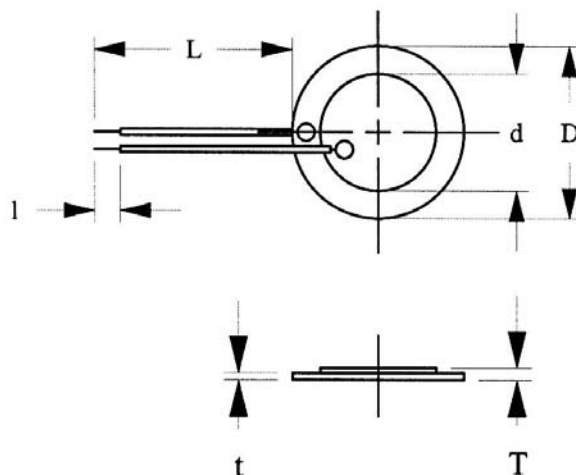
EKULIT

SPECIFICATIONS:

| TYPE | UNIT | EPZ-27MS44W |
|-----------------------|--------------------|--------------|
| Dimensions (mm) | D | 27 |
| | d | 20 |
| | T | 0.53 |
| | t | 0.28 |
| | L | 50±3 |
| | l | 3±1 |
| Wire | | UL1571 AWG30 |
| Frequency | Hz | 4.400 |
| Impedance | Ω | 200 |
| Capacitance | pF | 21.000 |
| Operating Temperature | $^{\circ}\text{C}$ | -20~+70 |
| Storage Temperature | $^{\circ}\text{C}$ | -30~+80 |

DIMENSIONS :

(Unit: mm)



Adresse: Felix-Wankel-Str. 35 • 73760 Ostfildern/Nellingen

Tel: +49-711/3414023

Fax: +49-711/3414024

E-mail: info@ekulit.de Web site: www.EKULIT.de