

Elektrotechnik Karl-Heinz Mauz GmbH

RMP-42SW (Artikel-Nr. 185188)

EKULIT

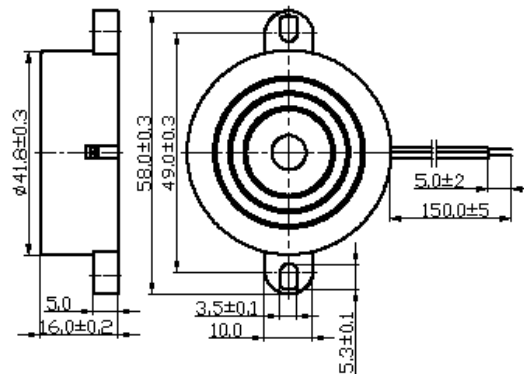
SPECIFICATIONS:

TYPE	UNIT	RMP-42SW
• Min. Sound Output at 30cm	dB	105
Rated Voltage	V	24
Operating Voltage	V	18~30
Resonant Frequency	Hz	3.100±500
• Max. Current Consumption	mA	20
Tone		Continuous
Wire	AWG	28
Operating Temperature	°C	-20~+60
Storage Temperature	°C	-30~+70

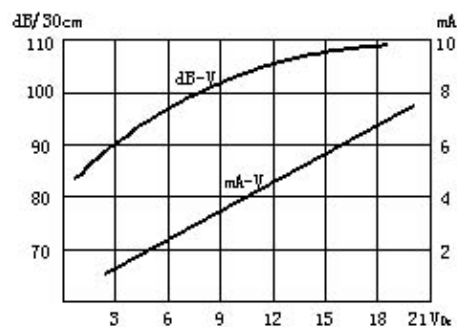
• Value applying at rated voltage

DIMENSIONS :

(Unit: mm)



Frequency response :



Adresse: **Felix-Wankel-Str. 35 • 73760 Ostfildern/Nellingen**

Tel: **+49-711/3414023**

Fax: **+49-711/3414024**

E-mail: **info@ekulit.de**

Web site: **www.EKULIT.de**