



Elektrotechnik Karl-Heinz Mauz GmbH

RMP-05 (Artikel-Nr. 183010)

EKULIT

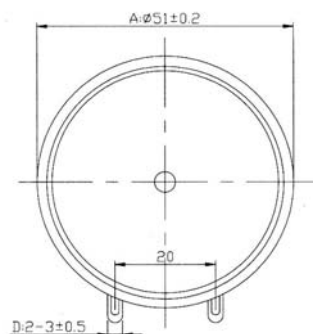
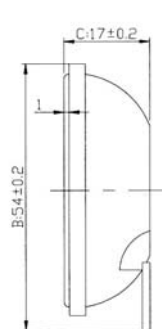
SPECIFICATIONS:

TYPE	UNIT	RMP-05
• Min. Sound Pressure Level	dB	95/22kHz;2.83Vp-p;sine wave/50cm
Rated Voltage	Vp-p	2.83
Allowable Input Voltage	Vp-p	30
• Resonant Frequency	kHz	22±1.0
Capacitance at 120Hz	nF	110±30%
Operating Temperature	°C	-20~+60
Storage Temperature	°C	-30~+70
Weight	g	9

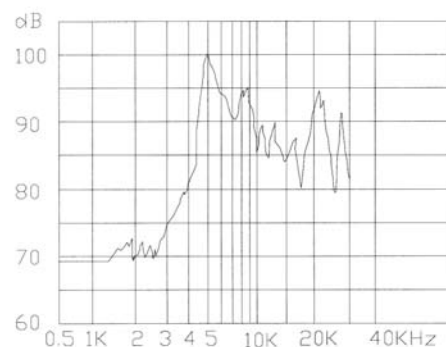
• Value applying at rated voltage

DIMENSIONS :

(Unit: mm)



Frequency response:



Adresse: **Felix-Wankel-Str. 35 • 73760 Ostfildern/Nellingen**

Tel: **+49-711/3414023**

Fax: **+49-711/3414024**

E-mail: **info@ekulit.de** Web site: **www.EKULIT.de**