



Elektrotechnik Karl-Heinz Mauz GmbH

AL-16SP06 (Artikel-Nr. 170010)

EKULIT

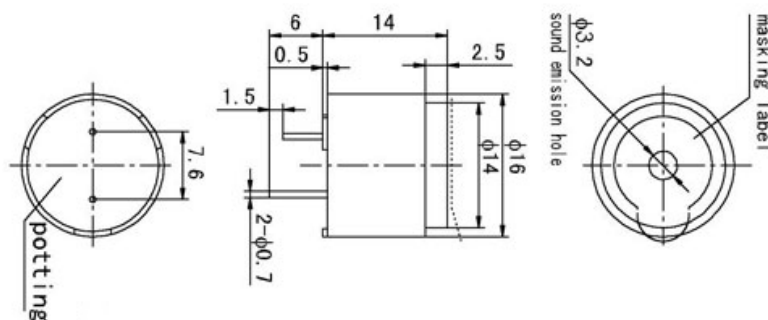
SPECIFICATIONS:

TYPE	UNIT	AL-16SP06
• Min. Sound Output at 10cm	dB	85
Rated Voltage	V _{DC}	6
Operating Voltage	V _{DC}	4~8
Resonant Frequency	Hz	2.300±300
• Max. Current Consumption	mA	30
Operating Temperature	°C	-20~+70
Storage Temperature	°C	-30~+80
Weight	g	7

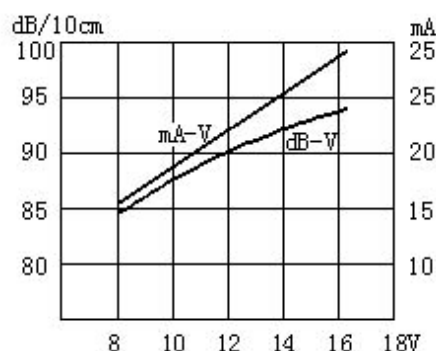
• Value applying at rated voltage

DIMENSIONS :

(Unit: mm)



Frequency response:



Adresse: Felix-Wankel-Str. 35 • 73760 Ostfildern/Nellingen

Tel: +49-711/3414023

Fax: +49-711/3414024

E-mail: info@ekulit.de Web site: www.EKULIT.de