



Elektrotechnik Karl-Heinz Mauz GmbH

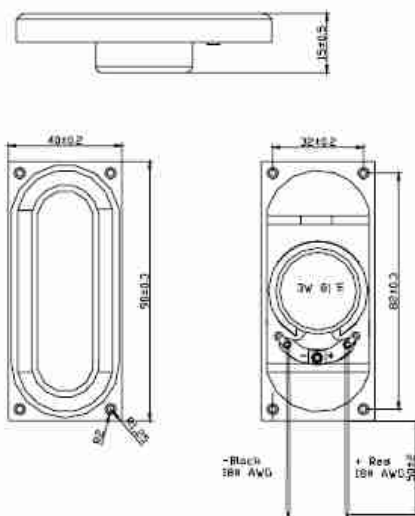
LSM-4090A (Artikel-Nr. 130070)

EKULIT

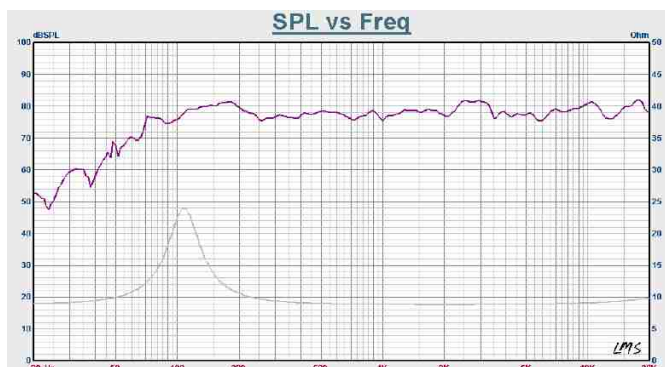
SPECIFICATIONS:

TYPE	UNIT	LSM-4090A
Impedance	Ω	$8 \pm 15\%$
Power (Nominal)	W	3.0
Power (Maximum)	W	4.0
Resonant Frequency	Hz	$120 \pm 20\%$
Sound Pressure Level	dB	81 ± 3
Frequency Range	Hz	96~20.000
Operating Temperature	$^{\circ}\text{C}$	-25~+70
Storage Temperature	$^{\circ}\text{C}$	-40~+85

DIMENSIONS :
(Unit: mm)



Frequency response:



Adresse: **Felix-Wankel-Str. 35 • 73760 Ostfildern/Nellingen**

Tel: **+49-711/3414023**

Fax: **+49-711/3414024**

E-mail: **info@ekulit.de** Web site: **www.EKULIT.de**