



Elektrotechnik Karl-Heinz Mauz GmbH

LSM-O4171-A (Artikel-Nr. 130022)

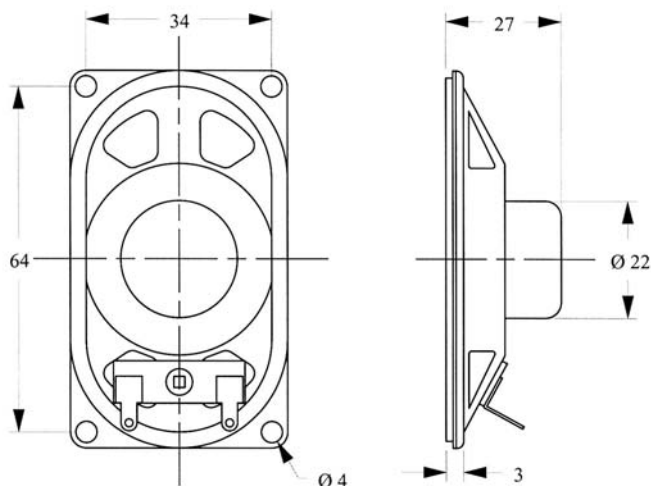
EKULIT

SPECIFICATIONS:

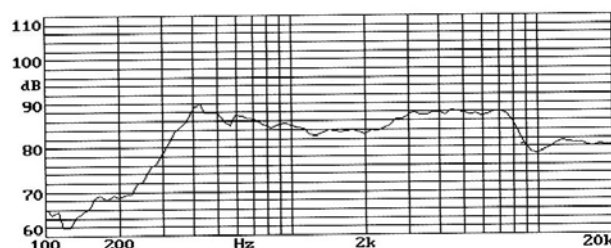
TYPE	UNIT	LSM-O4171-A
Impedance	Ω	8 \pm 15%
Power (Nominal)	W	3.0
Power (Maximum)	W	5.0
Resonant Frequency	Hz	300 \pm 20%
Sound Pressure Level	dB	83 \pm 3
Frequency Range	Hz	Fo~20.000
Operating Temperature	$^{\circ}$ C	-20~+60
Storage Temperature	$^{\circ}$ C	-30~+70

DIMENSIONS :

(Unit: mm)



Frequency response:



Adresse: **Felix-Wankel-Str. 35 • 73760 Ostfildern/Nellingen**

Tel: **+49-711/3414023**

Fax: **+49-711/3414024**

E-mail: **info@ekulit.de** Web site: **www.EKULIT.de**