

Elektrotechnik Karl-Heinz Mauz GmbH

LSM-S20K (Artikel-Nr. 130012)

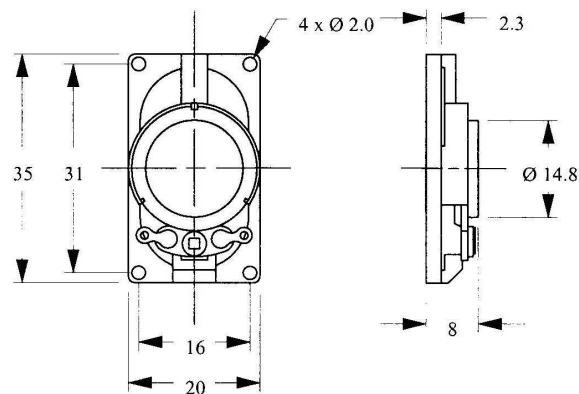
EKULIT

SPECIFICATIONS:

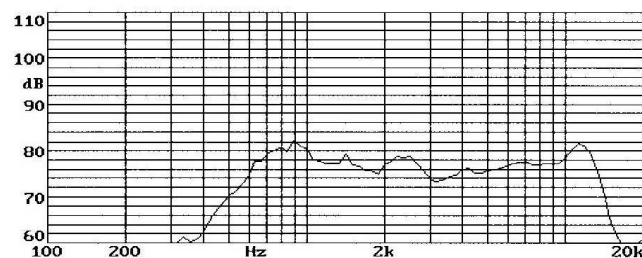
TYPE	UNIT	LSM-S20K
Impedance	Ω	$8 \pm 15\%$
Power (Nominal)	W	1.0
Power (Maximum)	W	2.0
Resonant Frequency	Hz	$600 \pm 20\%$
Sound Pressure Level	dB	75 ± 3
Frequency Range	Hz	$F_0 \sim 5.000$
Operating Temperature	$^{\circ}\text{C}$	$-20 \sim +60$
Storage Temperature	$^{\circ}\text{C}$	$-30 \sim +70$

DIMENSIONS

(Unit: mm)



Frequency response:



Adresse: **Felix-Wankel-Str. 35 • 73760 Ostfildern/Nellingen**

Tel: **+49-711/3414023**

Fax: **+49-711/3414024**

E-mail: **kmmauz@t-online.de**

Web site: **www.EKULIT.de**