



# Elektrotechnik Karl-Heinz Mauz GmbH

LSM-S2514K (Artikel-Nr. 130005)

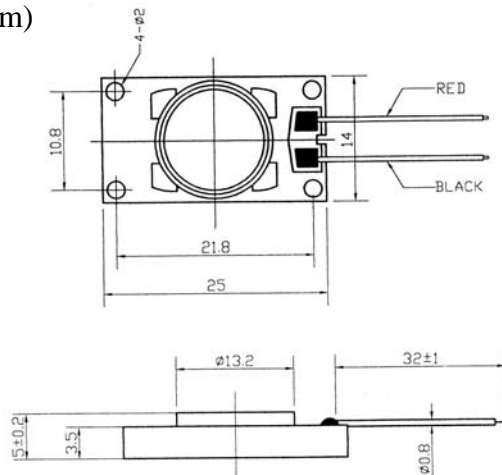
**EKULIT**

## *SPECIFICATIONS:*

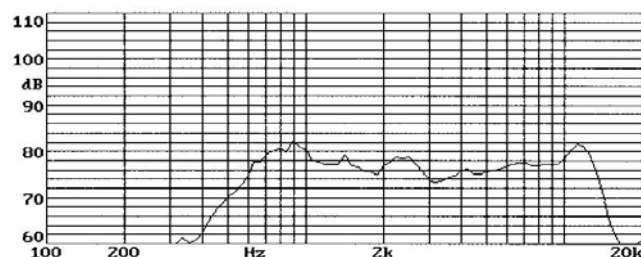
TYPE	UNIT	LSM-S2514K
Impedance	$\Omega$	$8 \pm 15\%$
Power (Nominal)	W	0.5
Power (Maximum)	W	0.8
Resonant Frequency	Hz	$700 \pm 20\%$
Sound Pressure Level	dB	$82 \pm 3$
Frequency Range	Hz	Fo~8.000
Operating Temperature	$^{\circ}\text{C}$	-20~+60
Storage Temperature	$^{\circ}\text{C}$	-30~+70

## DIMENSIONS :

(Unit: mm)



## Frequency response:



Adresse: **Felix-Wankel-Str. 35 • 73760 Ostfildern/Nellingen**

Tel: **+49-711/3414023**

Fax: **+49-711/3414024**

E-mail: **info@ekulit.de** Web site: **www.EKULIT.de**