



# Elektrotechnik Karl-Heinz Mauz GmbH

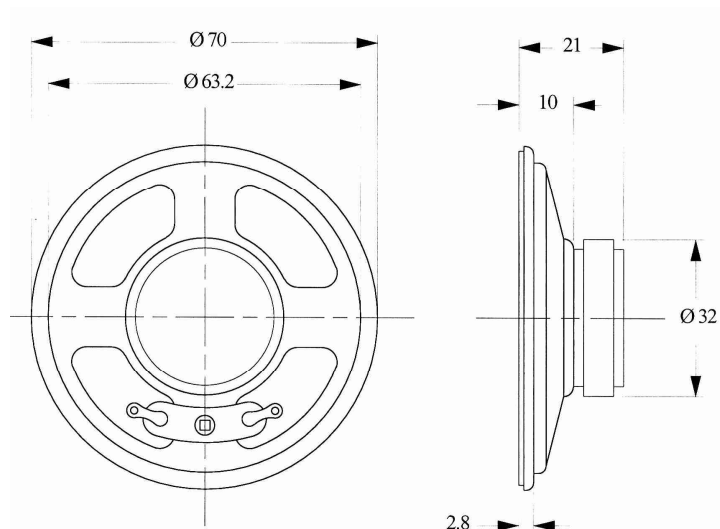
**LSM-70F** (Artikel-Nr. 120110)

**EKULIT**

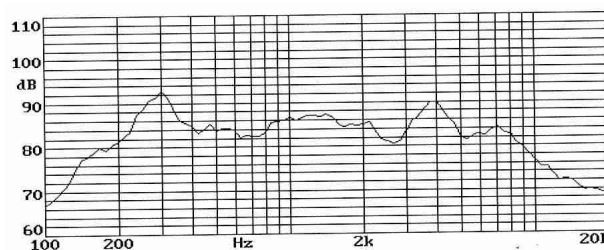
## SPECIFICATIONS:

TYPE	UNIT	LSM-70F
Impedance	$\Omega$	$8 \pm 15\%$
Power (Nominal)	W	0.5
Power (Maximum)	W	1.0
Resonant Frequency	Hz	$260 \pm 20\%$
Sound Pressure Level	dB	$83 \pm 3$
Frequency Range	Hz	Fo~12.000
Operating Temperature	$^{\circ}\text{C}$	-20~+60
Storage Temperature	$^{\circ}\text{C}$	-30~+70

**DIMENSIONS :**  
(Unit: mm)



Frequency response:



Adresse: **Felix-Wankel-Str. 35 • 73760 Ostfildern/Nellingen**

Tel: **+49-711/3414023**

Fax: **+49-711/3414024**

E-mail: **info@ekulit.de** Web site: **www.EKULIT.de**