



# Elektrotechnik Karl-Heinz Mauz GmbH

**LSM-57A** (Artikel-Nr. 120060)

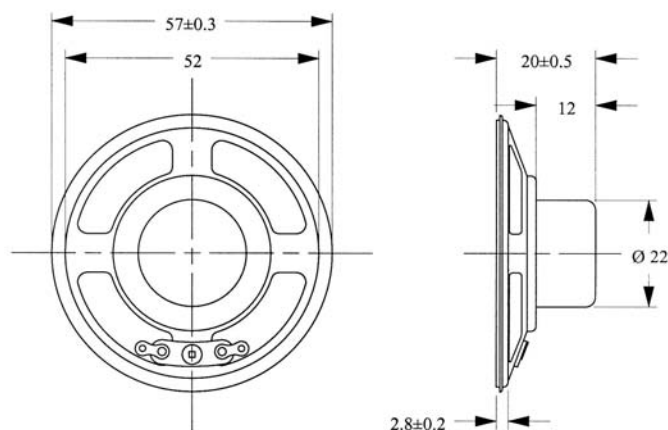
**EKULIT**

## *SPECIFICATIONS:*

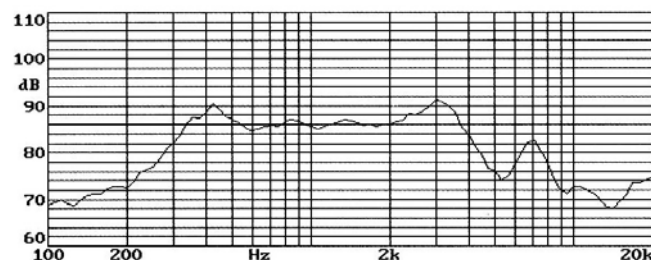
TYPE	UNIT	LSM-57A
Impedance	$\Omega$	8 $\pm$ 15%
Power (Nominal)	W	0.25
Power (Maximum)	W	0.5
Resonant Frequency	Hz	450 $\pm$ 20%
Sound Pressure Level	dB	85 $\pm$ 3
Frequency Range	Hz	Fo~4.000
Operating Temperature	$^{\circ}$ C	-20~+60
Storage Temperature	$^{\circ}$ C	-30~+70

## DIMENSIONS :

(Unit: mm)



Frequency response:



Adresse: **Felix-Wankel-Str. 35 • 73760 Ostfildern/Nellingen**

Tel: **+49-711/3414023**

Fax: **+49-711/3414024**

E-mail: **info@ekulit.de** Web site: **www.EKULIT.de**