

Elektrotechnik Karl-Heinz Mauz GmbH

LSF-28M/NT-B (Artikel-Nr. 107139)

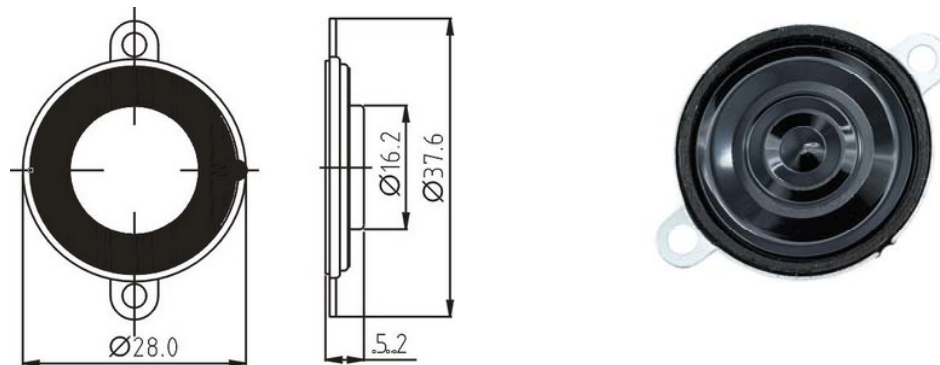
EKULIT

SPECIFICATIONS:

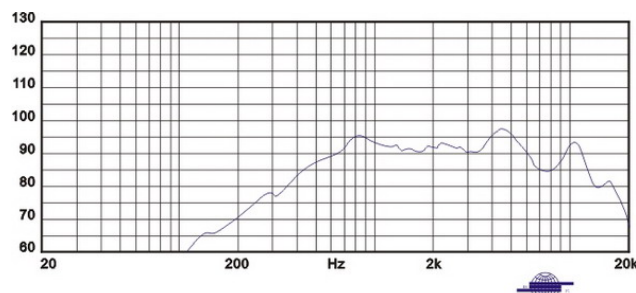
| TYPE | UNIT | LSF-28M/NT-B |
|-----------------------|--------------------|-------------------|
| Impedance | Ω | $8 \pm 15\%$ |
| Power (Nominal) | W | 2 |
| Power (Maximum) | W | 3 |
| Resonant Frequency | Hz | $620 \pm 20\%$ |
| Sound Pressure Level | dB | 92 ± 3 |
| Frequency Range | Hz | $f_0 \sim 12.000$ |
| Operating Temperature | $^{\circ}\text{C}$ | $-20 \sim +65$ |
| Storage Temperature | $^{\circ}\text{C}$ | $-30 \sim +70$ |

DIMENSIONS :

(Unit: mm)



Frequency response:



Adresse: **Felix-Wankel-Str. 35 • 73760 Ostfildern/Nellingen**

Tel: **+49-711/3414023**

Fax: **+49-711/3414024**

E-mail: **info@ekulit.de**

Web site: **www.EKULIT.de**