

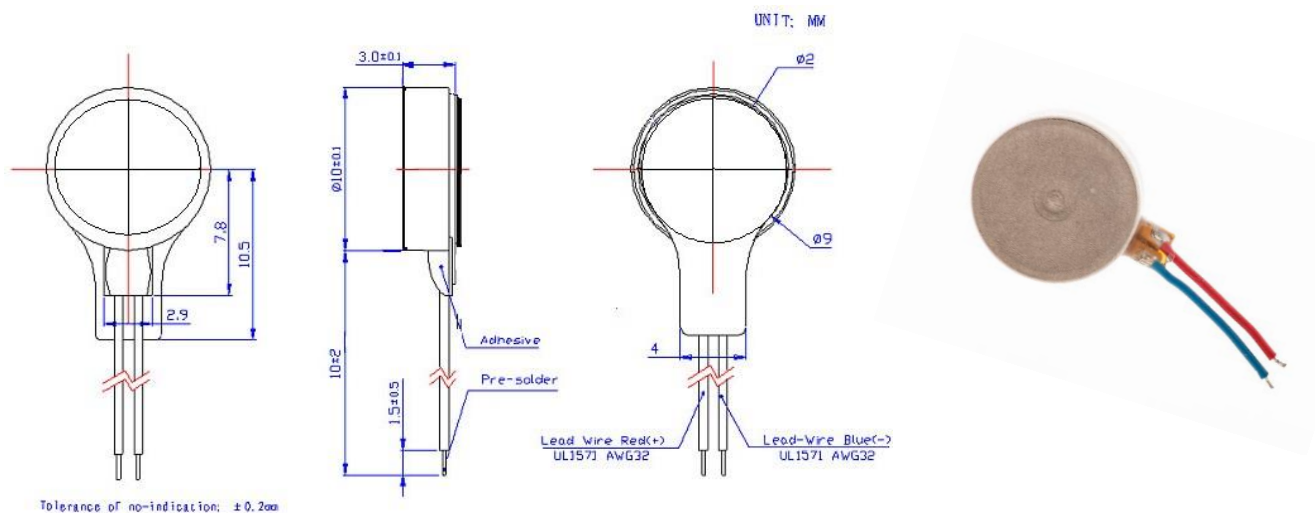
Vibrationsmotor VM-1003A3.0 Art.-Nr.: 860220

Specification :

TYPE	UNIT	VM-1003A3.0
Rated voltage	V _{DC}	3.0
Operating range voltage	V _{DC}	2.4~3.6
Rated Current	mA	<85
Rated load speed	rpm	13.500±2.500
Starting voltage	V _{DC}	2.3
Starting current	mA	140
Insulation resistance	MΩ	10
Terminal resistance	Ω	70 max.
Weight	g	2.0

Dimensions :

(Unit : mm)



Typical applications : Motorized toys, pager, mobile phone