

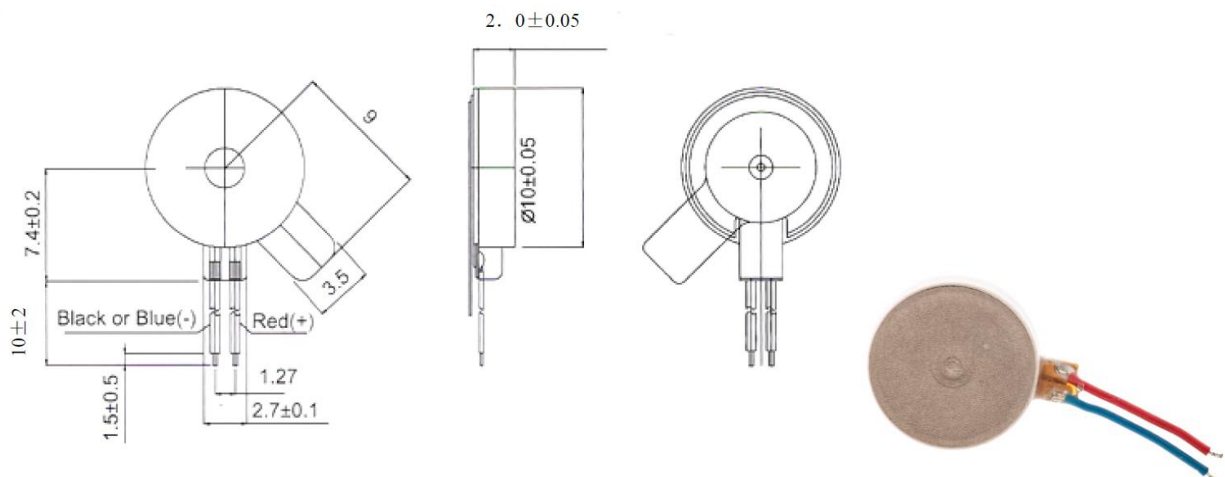
**Vibrationsmotor VM-1002A3.0** Art.-Nr.: 860215

**Specification:**

TYPE	UNIT	VM-1002A3.0
Rated voltage	V <sub>DC</sub>	3.0
Operating range voltage	V <sub>DC</sub>	2.3~4.0
Rotation	-	CW&CCW
Rated Current	mA	<80
Rated speed	rpm	10.000±3.000
Starting voltage	V <sub>DC</sub>	2.3
Starting current	mA	120
Insulation resistance	MΩ	10
Terminal resistance	Ω	70 max.
Weight	g	2.0
Operating temperature	°C	-20~+60

**Dimensions:**

(Unit: mm)



**Typical applications : Motorized toys, pager, mobile phone**