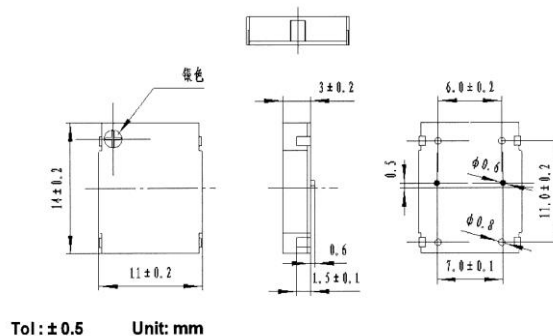


**SMD-Signalgeber (ohne Ansteuerung) SMD-1411A03** Art.-Nr.: 220012

**Specification :**

TYPE	UNIT	SMD-1411A03
◆ Min. Sound Output at 10cm	dB	>80
Rated Voltage	V <sub>0-p</sub>	3
Operating Voltage	V <sub>0-p</sub>	2~4.5
Resonant Frequency	Hz	3200
◆ Max. Current Consumption	mA	80
Coil Resistance	Ω	19±2
Housing Material		LCP
Operating Temperature	°C	-20~+70
Storage Temperature	°C	-30~+85
Weight	g	1.0

**Dimensions :** Tolerance : ±0,5mm Except Specified  
(Unit : mm)



**Frequency Response Curve:**

