

**Piezosignalgeber (mit Ansteuerung) RMP-42SW** Art.-Nr.: 185188

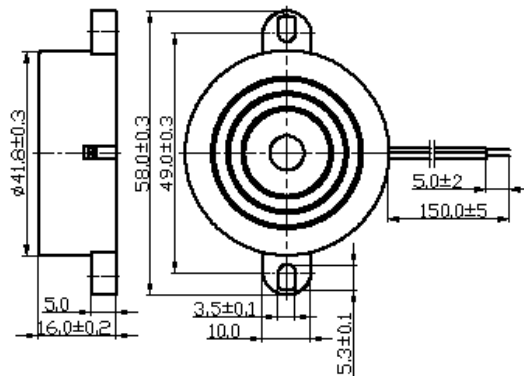
**Specification :**

TYPE	UNIT	RMP-42SW
• Min. Sound Output at 30cm	dB	105
Rated Voltage	V	24
Operating Voltage	V	18~30
Resonant Frequency	Hz	3.100±500
• Max. Current Consumption	mA	20
Tone		Continuous
Wire	AWG	28
Operating Temperature	°C	-20~+60
Storage Temperature	°C	-30~+70

- Value applying at rated voltage

**Dimensions :**

(Unit : mm)



**Frequency Response :**

