

Piezosignalgeber (mit Ansteuerung) RMP-30SW Art.-Nr.: 185171

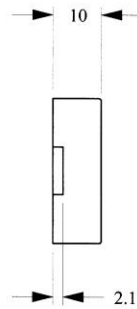
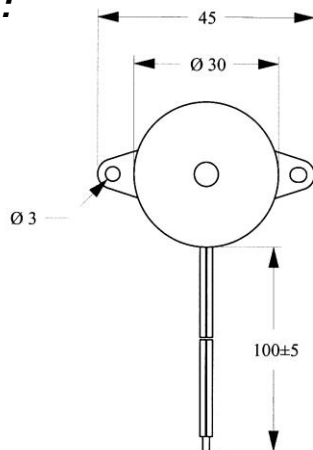
Specification :

TYPE	UNIT	RMP-30SW
• Min. Sound Output at 30cm	dB	90
Rated Voltage	V	12
Operating Voltage	V	3~28
Resonant Frequency	Hz	3.200±500
• Max. Current Consumption	mA	20
Tone		Continuous
Wire	AWG	28
Operating Temperature	°C	-20~+60
Storage Temperature	°C	-30~+70

- Value applying at rated voltage

Dimensions :

(Unit : mm)



Frequency response :

