

Elektromagnetischer Signalgeber AL-60P12

ohne Ansteuerung Art.-Nr.: 155120

Specification :

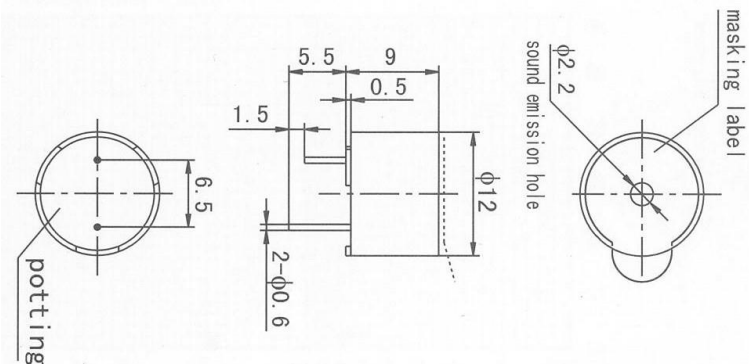
TYPE	UNIT	AL-60P12
• Min. Sound Output at 10cm	dB	85
Rated Voltage	V	12
Operating Voltage	V	7~16
Resonant Frequency	Hz	2.400
• Max. Current Consumption	mA	40
Coil Resistance	Ω	140 \pm 14
•• Coil Impedance	Ω	240
Operating Temperature	$^{\circ}$ C	-25~+70
Storage Temperature	$^{\circ}$ C	-30~+80
Weight	g	2

• Value applying at (rated voltage, 2.400Hz, ½ duty square wave)

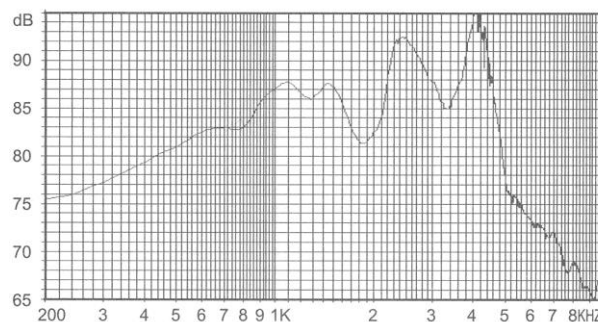
•• Value applying at (2.400Hz, sine wave, measuring current 60 μ A)

Dimensions:

(Unit: mm)



Frequency Response :



Version 1 / 10/2021

Adresse: Felix-Wankel-Str. 35 • 73760 Ostfildern/Nellingen

Tel: +49-711/3414023

Fax: +49-711/3414024

E-mail: info@ekulit.de Web site: www.EKULIT.de