

Elektromagnetischer Signalgeber AL-10P05

ohne Ansteuerung Art.-Nr.: 155012

Specification :

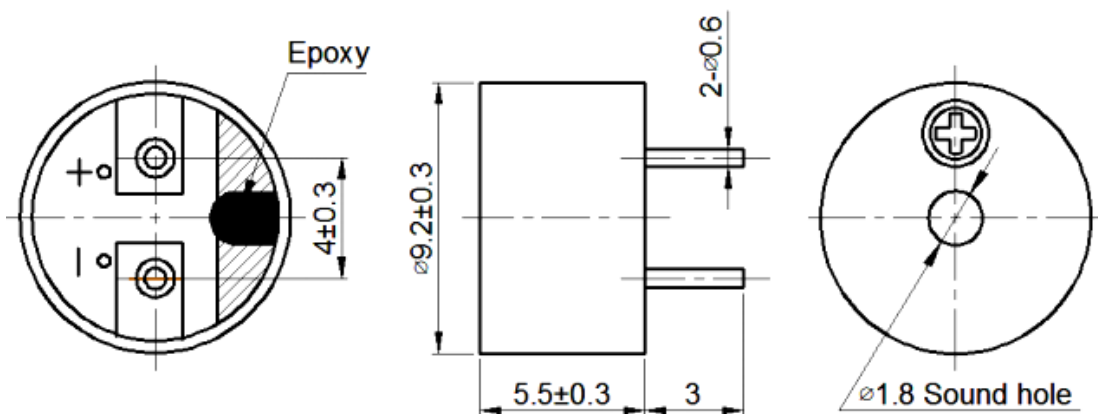
No.	Technical terms	Value
1	Rated Voltage (V)	5
2	Operating Voltage (V)	3~7
3	☆*Current Consumption (mA)	≤60
4	☆Coil Resistance (Ω)	40±6
5	☆*Sound Output at 10cm (dB)	≥90
6	Resonant Frequency (Hz)	2700
7	Operating Temperature (°C)	-40~+85
8	Storage Temperature (°C)	-40~+90
9	Weight (g)	0.6
10	Housing Material	PPO
11	RoHS	Yes

* Applying at (Resonant Frequency, 1/2 duty, Square wave)

☆ Test Basic State: Temp(20±40~705Rh);Air pressure(860~1060hPa)

Dimensions:

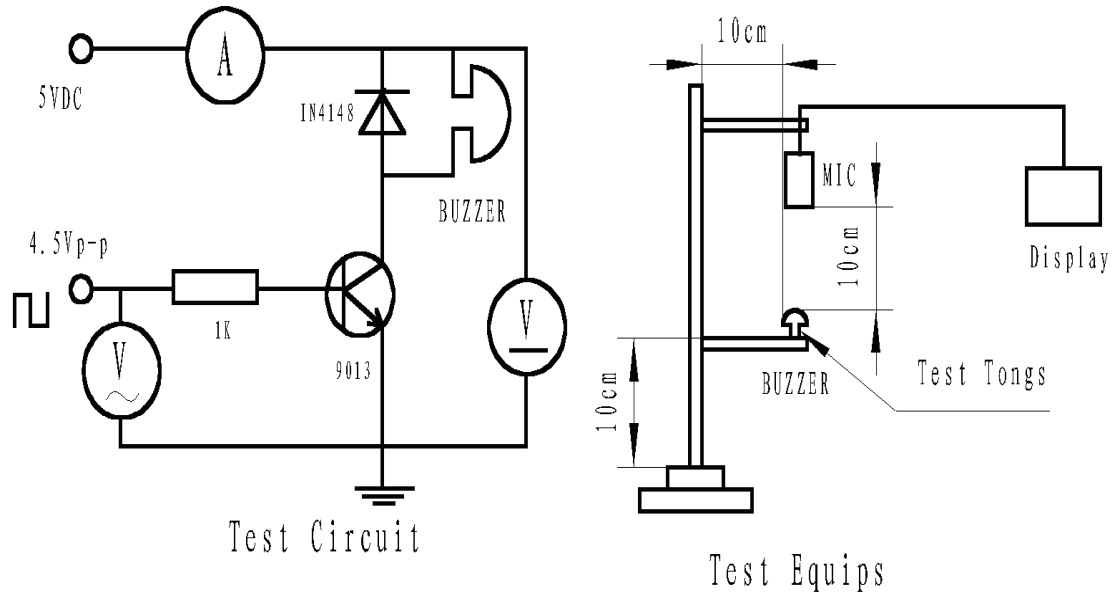
(Unit: mm)



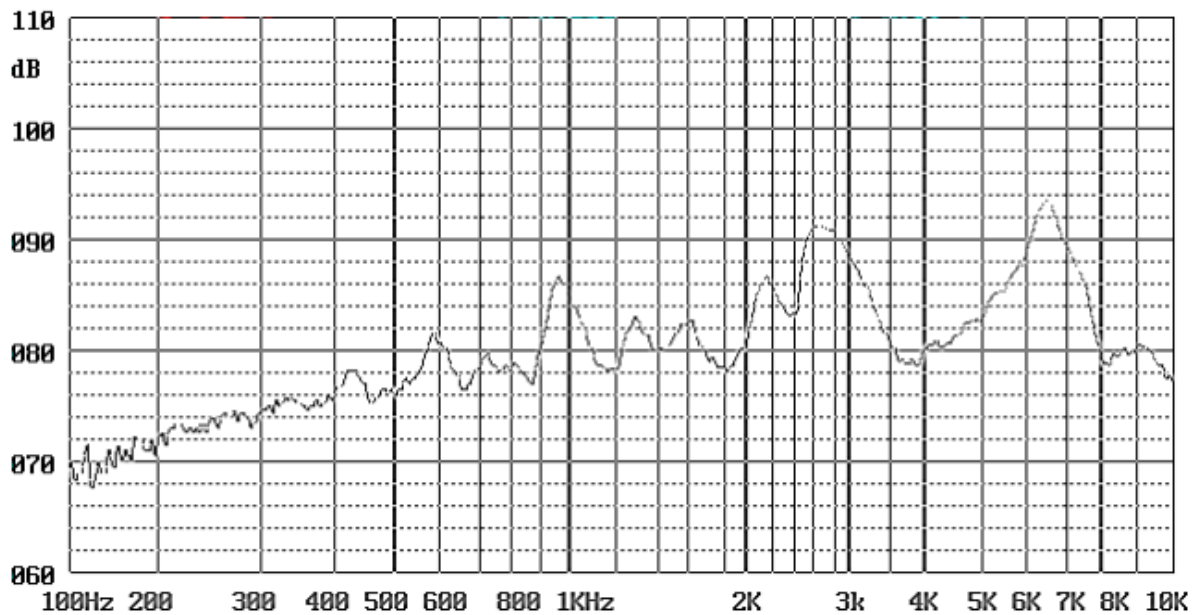
Elektromagnetischer Signalgeber AL-10P05

ohne Ansteuerung Art.-Nr.: 155012

Test Method :



Frequency Response :



Elektromagnetischer Signalgeber AL-10P05

ohne Ansteuerung Art.-Nr.: 155012

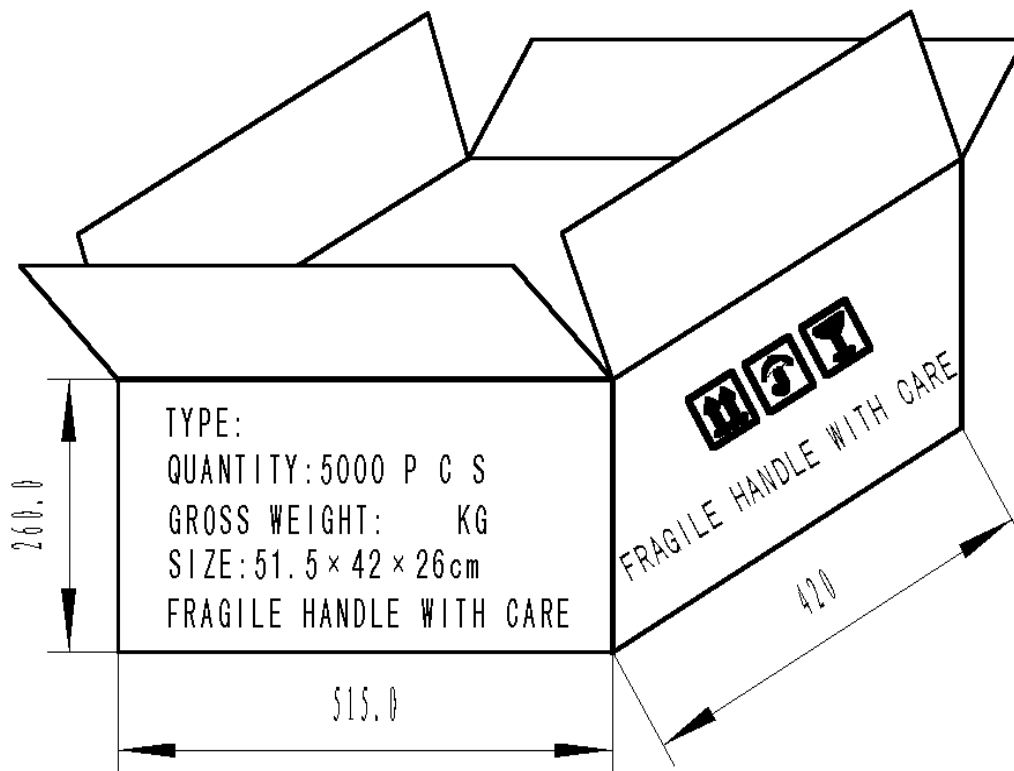
Reliability Test :

NO.	ITEM	TESTING CONDITION	VARIANCE AFTER TEST
1	Humidity	40±2°C, 90~95% RH, 96HRS	All specifications must be satisfied after the test.
2	High temp.	+90±2°C, 96HRS	
3	Low temp.	-40±2°C, 96HRS	
4	Temperature Cycling	-40±2°C, 30minutes room temp. 15 minutes +90±2°C, 30 minutes room temp. 15 minutes 5 cycles	
5	Drop test	3 times from height of 70cm onto the surface of 10mm thick wooden board.	
6	Vibration test	Make the test for the directions of X Y and Z (total 0.5 hours). To-and-fro. sweep time (from 10 to 55 Hz and then from 55 to 10 Hz) under single amplitude of 1.0mm is 1 minute.	
7	Solder heat resistance	The part leads (pins) shall be immersed in molten solder maintained at 260±5°C for a period of 10 seconds.Refer to GB2423.28.	

Elektromagnetischer Signalgeber AL-10P05

ohne Ansteuerung Art.-Nr.: 155012

Packing :



NOTES:

- 1.100 PCS per box
- 2.Total 50 boxes per carton
- 3.Total 5000 PCS carton