

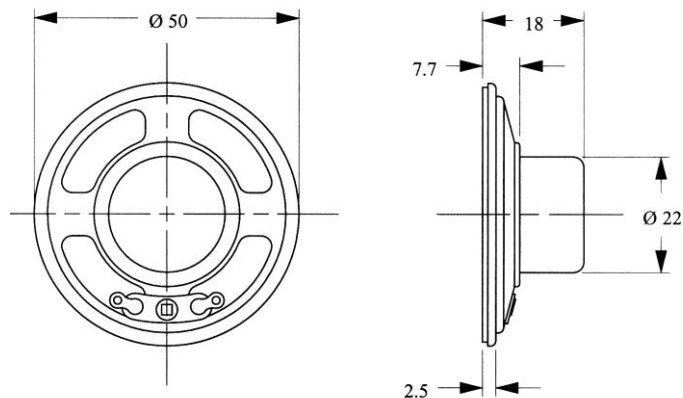
Lautsprecher LSM-50M/A Art.-Nr.: 125010

Specification :

TYPE	UNIT	LSM-50M/A
Impedance	Ω	$8 \pm 15\%$
Power (Nominal)	W	0.2
Power (Maximum)	W	0.4
Resonant Frequency	Hz	$450 \pm 20\%$
Sound Pressure Level	dB	84 ± 3
Frequency Range	Hz	Fo~4.500
Operating Temperature	$^{\circ}\text{C}$	-20~+60
Storage Temperature	$^{\circ}\text{C}$	-30~+70

Dimensions :

(Unit : mm)



Frequency Response :

