

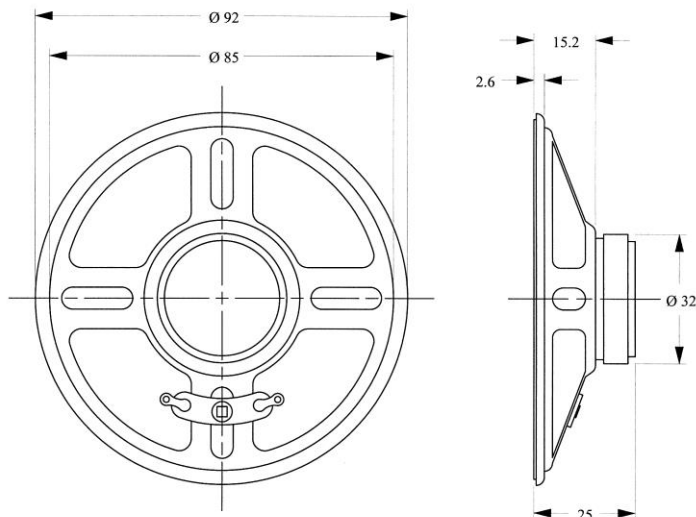
Lautsprecher LSM-92F Art.-Nr.: 120150

Specification :

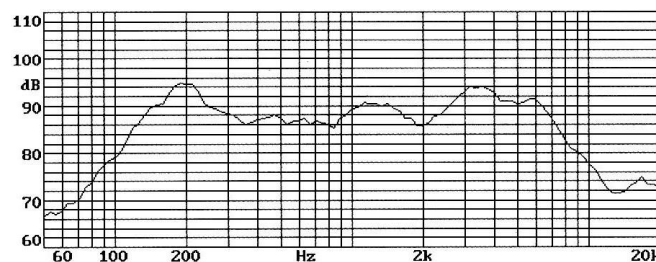
TYPE	UNIT	LSM-92F
Impedance	Ω	8 \pm 15%
Power (Nominal)	W	1.0
Power (Maximum)	W	2.0
Resonant Frequency	Hz	160 \pm 20%
Sound Pressure Level	dB	84 \pm 3
Frequency Range	Hz	Fo~5.000
Operating Temperature	$^{\circ}$ C	-10~+50
Storage Temperature	$^{\circ}$ C	-20~+60

Dimensions :

(Unit : mm)



Frequency Response :



Version 1 / 10/2021