

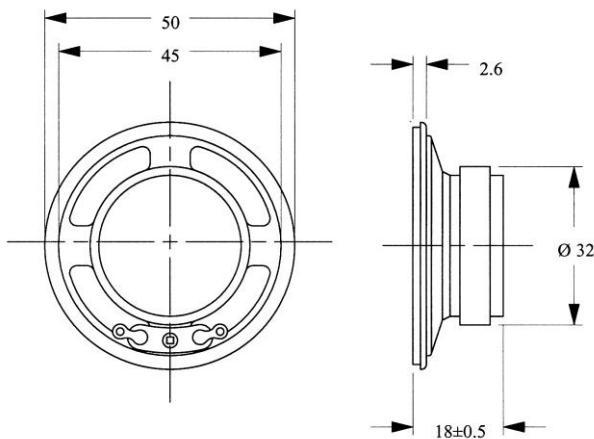
Lautsprecher LSM-50F Art.-Nr.: 120050

Specification :

| TYPE | UNIT | LSM-50F |
|-----------------------|--------------------|----------------|
| Impedance | Ω | $8 \pm 15\%$ |
| Power (Nominal) | W | 0.2 |
| Power (Maximum) | W | 0.5 |
| Resonant Frequency | Hz | $450 \pm 20\%$ |
| Sound Pressure Level | dB | 84 ± 3 |
| Frequency Range | Hz | Fo~4.000 |
| Operating Temperature | $^{\circ}\text{C}$ | -20~+60 |
| Storage Temperature | $^{\circ}\text{C}$ | -30~+70 |

Dimensions :

(Unit : mm)



Frequency Response :

