

**Lautsprecher LSM-40M/N-SR8 Art.-Nr.: 115091**
**Specification :**

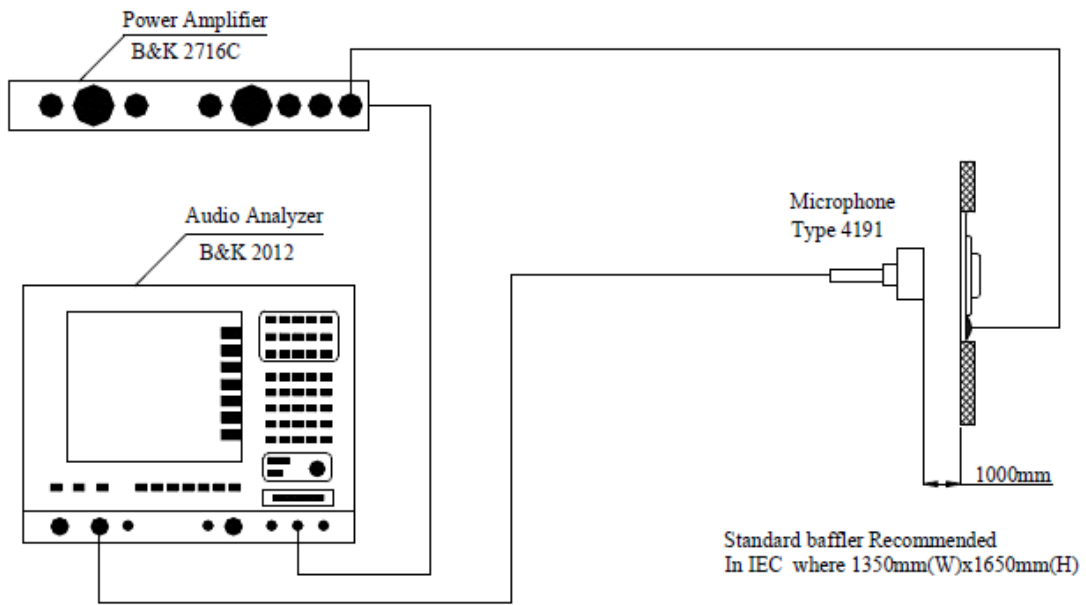
No.	Item	Description	test condition
1	RATED IMPEDANCE	8Ω±15 %	2K Hz
2	RATED RESONANT FREQUENCY (f <sub>0</sub> )-SPEAKER	300±20 %Hz (LMS)	1.0 V
3	RATED RESONANT FREQUENCY (f <sub>0</sub> )-BOX	/ ±20 %Hz	1.0 V
4	RATED CHARACTERISTIC SENSITIVITY GRADE	86±3dB (At600,800,1000,1200Hz Average)	2.83V/ 0.5m
5	RATED FREQUENCY RANGE	f <sub>0</sub> ~20K (SPL-10dB)	2.83V/ 0.5m
6	RATED HARMONIC DISTORTION	< 5 % At 1000 Hz	2.83V/ 0.5m
7	APPEARANCE NORMAL	@ A.T. 15~35°C, H.M. 25~75%, B.P. 86~106kPa	
8	BUZZES & RATTLES NO APPEARANCE	@0.3m with SIN wave from 100 Hz to 2KHz input/rated noise power	2.83V
9	RATED NOISE POWER	1.0W @ Pink noise Power operating continuously for 96 hours	2.83V
10	RATED LONG-TERM MAXIMUM POWER	1.5W @ Simulant program signal for 1 min on & 2 min off, cycling for 10 times	3.46V
11	HIGH-TEMPERATURE	+85±2°C, Humidity Random for 96 hours,	
12	STATIC HUMIDITY/TEMPERATURE	40±2°C, H.M.93 $\frac{1}{2}$ % depositing for 96 hours,	
13	LOW-TEMPERATURE	-40±2°C, Humidity Random for 96 hours,	

**Lautsprecher LSM-40M/N-SR8** Art.-Nr.: 115091

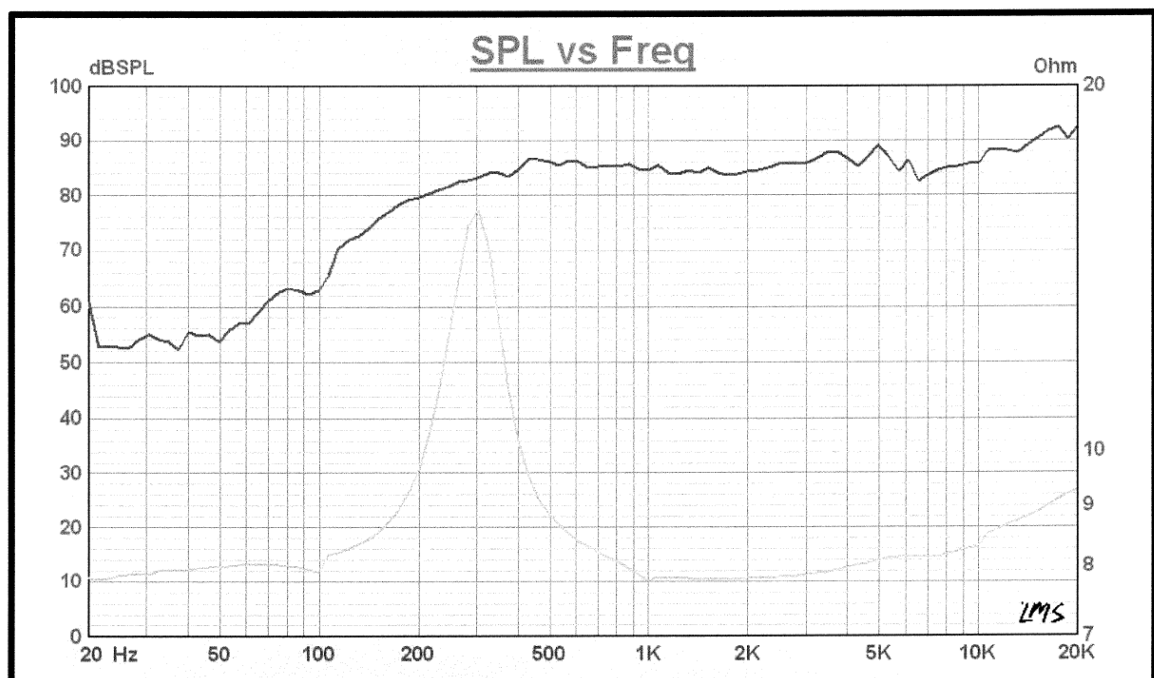
No.	Item	Description	test condition
14	SCANNING VIBRATION	(GB/T 9397-1996-4.5.1)	
15	SLIDING SHOCK	(GB/T 9397-1996 4.5.2)	
16	FREE FALLING	(GB/T 9397-1996 4.5.4)	
17	INSULATION RESISTANCE > 1 MΩ	@ 100V±10% D.C.	
18	BEARING VOLTAGE	NO APPEARANCES OF SHORT AND/OR STRIKING @ 100V/50Hz A.C. for 1 min.	
19	SOLDERABILITY	NORMAL @ Normal atmosphere conditions (GB/T 9396-1996 4.2)	
20	WEIGHET	10.3±20%g	

**Lautsprecher LSM-40M/N-SR8** Art.-Nr.: 115091

**Typical test connect:**

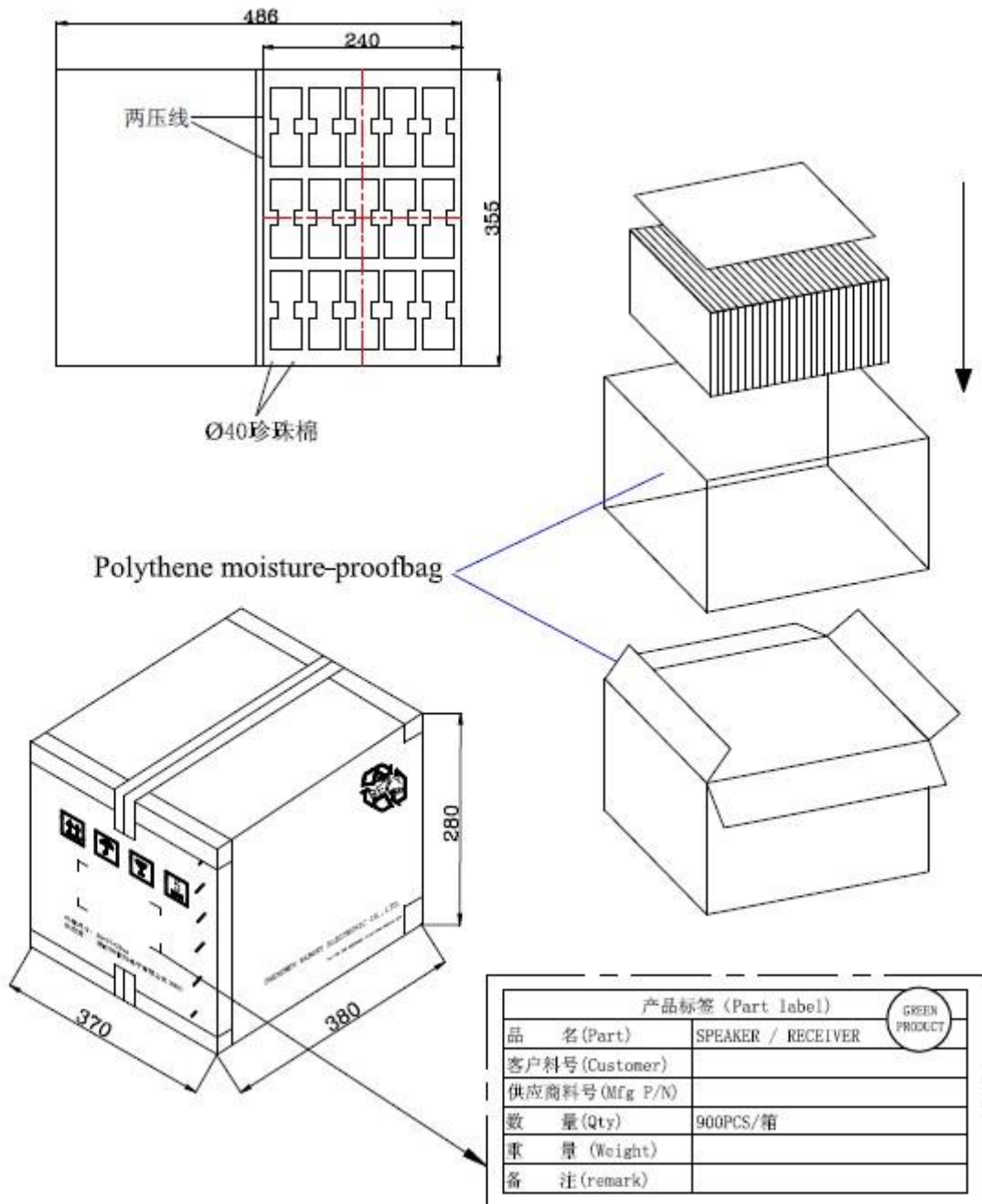


**Typical Frequency Response Curve :**



**Lautsprecher LSM-40M/N-SR8** Art.-Nr.: 115091

**Packing :**



**Lautsprecher LSM-40M/N-SR8** Art.-Nr.: 115091

---

**Drawing :**

