

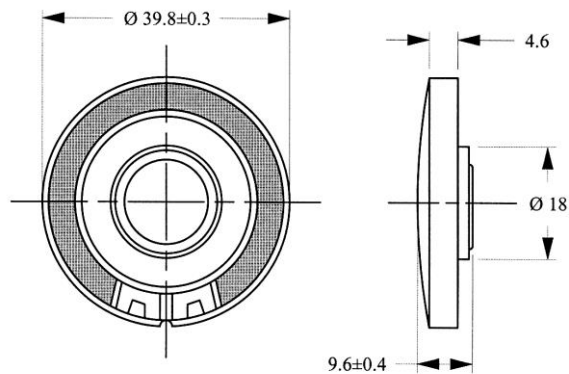
Lautsprecher LSF-40M/N/G Art.-Nr.: 110033

Specification :

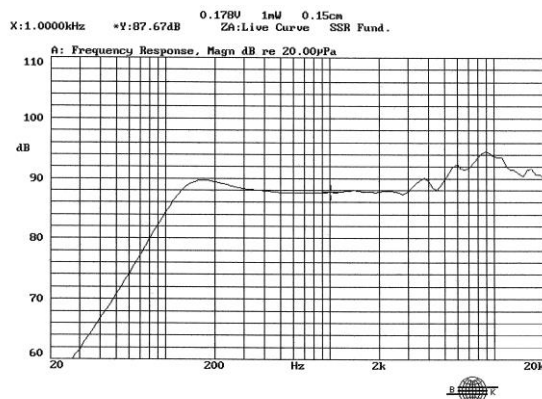
TYPE	UNIT	LSF-40M/N/G
Impedance	Ω	32±15%
Power (Nominal)	W	0.15
Power (Maximum)	W	0.25
Resonant Frequency	Hz	100±20%
Sound Pressure Level	dB	86±3
Frequency Range	Hz	fo~10.000
Operating Temperature	°C	-25~+50
Storage Temperature	°C	-25~+60

Dimensions :

(Unit : mm)



Frequency Response :



Version 1 / 10/2021