

# Elektrotechnik Karl-Heinz Mauz GmbH

**LSF-13M/R** (Artikel-Nr. 107024)

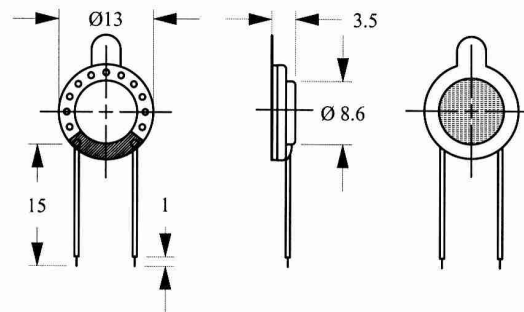
**EKULIT**

**SPECIFICATIONS:**

TYPE	UNIT	Receiver
Impedance	$\Omega$	32±15%
Power (Nominal)	W	10mW
Power (Maximum)	W	30mW
Resonant Frequency	Hz	300±20%
Sensitivity	dB	108±3 at 100mV
Frequency Range	Hz	fo~3.4k
Operating Temperature	°C	-20~+60
Storage Temperature	°C	-30~+70
Weight	g	1.5

**DIMENSIONS :**

(Unit: mm)



**Frequency response:**

