

Körperschalllautsprecher EXT-2512K03

Art. Nr. 105014

Specification:

NO	ITEM	SPECIFICATION
1	Mechanical Layout & Dimensions	Shown in the Exciter-02.Drw
2	Nominal Impedance	8 Ω \pm 15% at 1KHZ, 1.0V (D.C.R=8.4 Ω \pm 10%)
3	Input Power	Nom. Input 12W
		Max. Input 24W
4	Operation	6.93Volt (200Hz-20KHz) Sweep Time at 2s
5	Resonant FerQ. F0	260 \pm 20% HZ (F0 Meter)
6	Flux Density	11500 GAUSS \pm 10%
7	Insulation Resistance	No Less than 1M at DC 100V
8	Polarity	When positive voltage is applied to the (+) Terminal, Voice Coil should move out to of the Air gap.
9.	Weight	90g \pm 10% (Driver weight)
10	Power Test	IEC 268-5 9.8V 48 Hours
11	Heat Resistance	Temperature: +60 $^{\circ}$ C \pm 2 $^{\circ}$ C
		Duration: 24 hours
12	Humidity Resistance	Temperature: + 40 $^{\circ}$ C \pm 2 $^{\circ}$ C
		Relative Humidity: 93(+2/-3)%
		Duration: 48 Hours(GB)
13	Low Resistance	Temperature: -10 $^{\circ}$ C \pm 3 $^{\circ}$ C testing 1 Hours (GB)
		And then -20 $^{\circ}$ C \pm 3 $^{\circ}$ C testing 2 Hours(GB)
14	Dropping Test	600 \pm 25mm 60 $^{\circ}$ \pm 5 $^{\circ}$ (GB)

Körperschalllautsprecher EXT-2512K03

Art. Nr. 105014

Sample Testing Report:

NO	ITEM	TESTING CONDITIONS	No1	No2	No3	No4	Result
1	Speaker Size	Out Diameter : Φ 50.5 \pm 0.2mm	50.5	50.5	/	/	OK
2	Impedance	8 Ω \pm 15 % At 1KHZ,1.0V (D.C.R: 8.4 Ω \pm 10%)	8.4	8.4	/	/	OK
3	Resonance Frequency	260Hz \pm 20% (F0 Meter)	260	260	/	/	OK
4	Buzz & Rattle Test	Must Be Normal: Wave6.93V (Form 200Hz To 20KHz)	√	√	/	/	OK
5	Polarity	When a positive D.C voltage is applied To the voice coil terminal marked to Diaphragm should move to the front	√	√	/	/	OK
6	Flux Density	11500GAUSS \pm 10%	11500	11620	/	/	OK
7	Power Test	IEC 268-5 9.8V 48 Hours	√	√	/	/	OK
8	Heat Resistance	Temperature: +60°C \pm 2°C Duration: 24 Hours	√	√	/	/	OK
9.	Humidity Resistance	Temperature: +40°C \pm 2°C Relative Humidity: 93(+2/-3)% Duration: 48 Hours(GB)	√	√	/	/	OK
10	Low Temperature	Temperature: -10°C \pm 3°C testing 1 Hours And then -20°C \pm 3°C testing 2 Hours(GB)	√	√	/	/	OK
11	Dropping Test	600mm \pm 25mm 60° \pm 5° (GB)	√	√	/	/	OK

Körperschalllautsprecher EXT-2512K03

Art. Nr. 105014

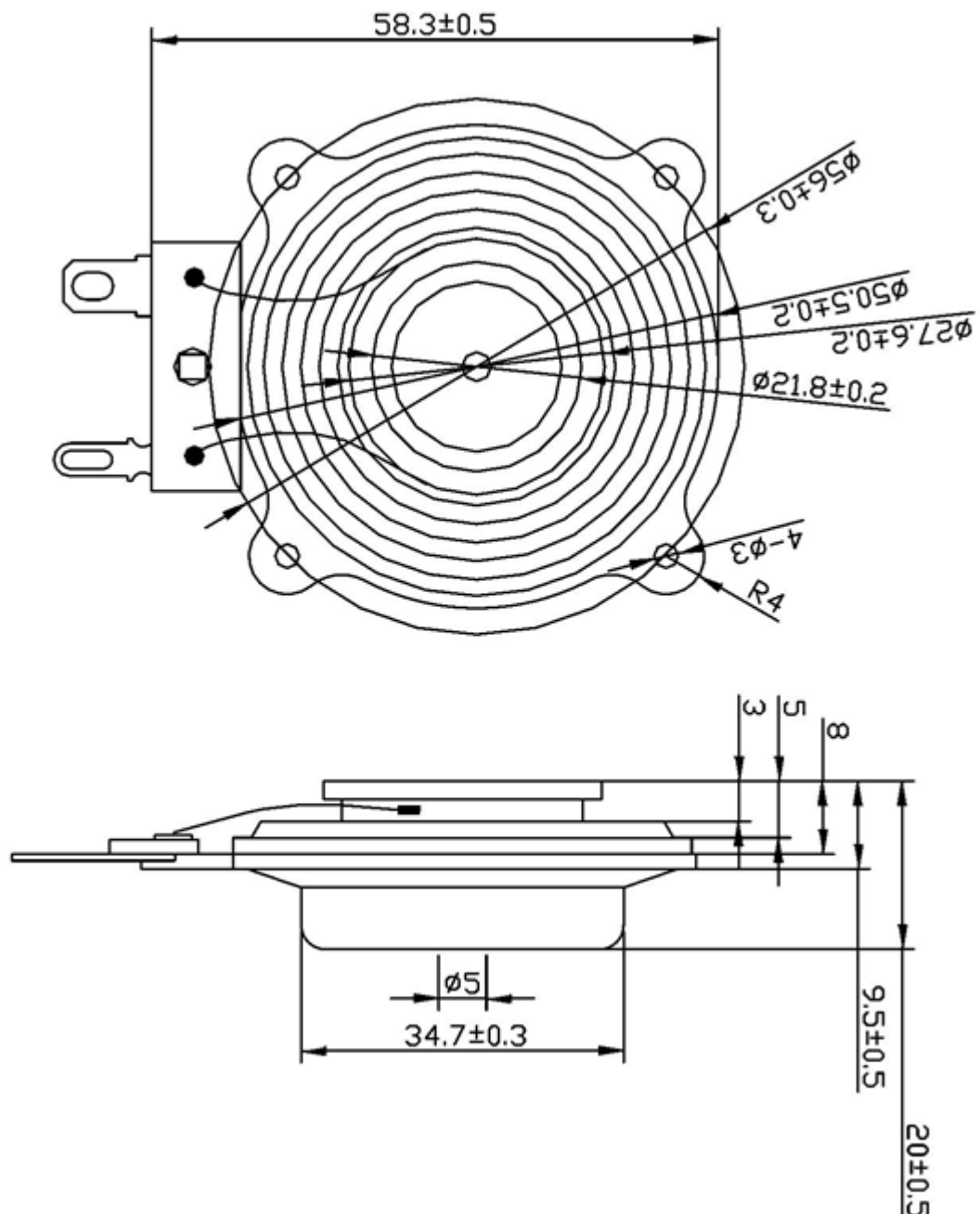
RoHS Substance Confirmation Form:

NO	SUPPLY ITEM		RoHS Substance Inspection Result						Survey Report No
			Cd	Pb	Hg	Cr6+	PBB	PBDE	(6 Material)
	Item	Material	100	1000	1000	1000	1000	1000	Ppm
1	磁铁	N35	ND	ND	ND	Negative	ND	ND	ECL01I001310004C
			OK	OK	OK	OK	OK	OK	2016/01/12
2	U 铁	Fe	ND	ND	ND	Negative	NA	NA	SCL01H025547001C
			OK	OK	OK	OK	NA	NA	2015/04/09
3	华司	Fe	ND	ND	ND	ND	ND	ND	SCL01H014051001C
			OK	OK	OK	OK	OK	OK	2015/03/10
4	音圈	KSV	ND	ND	ND	ND	ND	ND	KA/2015/91132
			OK	OK	OK	OK	OK	OK	2015/09/25
5	弹波	CONEX	ND	ND	ND	ND	ND	ND	CE/2011/C2776
			OK	OK	OK	OK	OK	OK	2011/12/22
6	端子	/	ND	ND	ND	Negative	ND	ND	CANEC150048631
			OK	OK	OK	OK	OK	OK	2015/01/15
7	介子	PC	ND	ND	ND	ND	ND	ND	KA/2010/C1706
			OK	OK	OK	OK	OK	OK	2010/01/06
8	胶水	/	ND	ND	ND	ND	ND	ND	CE/2015/32663B
			OK	OK	OK	OK	OK	OK	2015/03/17

Körperschalllautsprecher EXT-2512K03

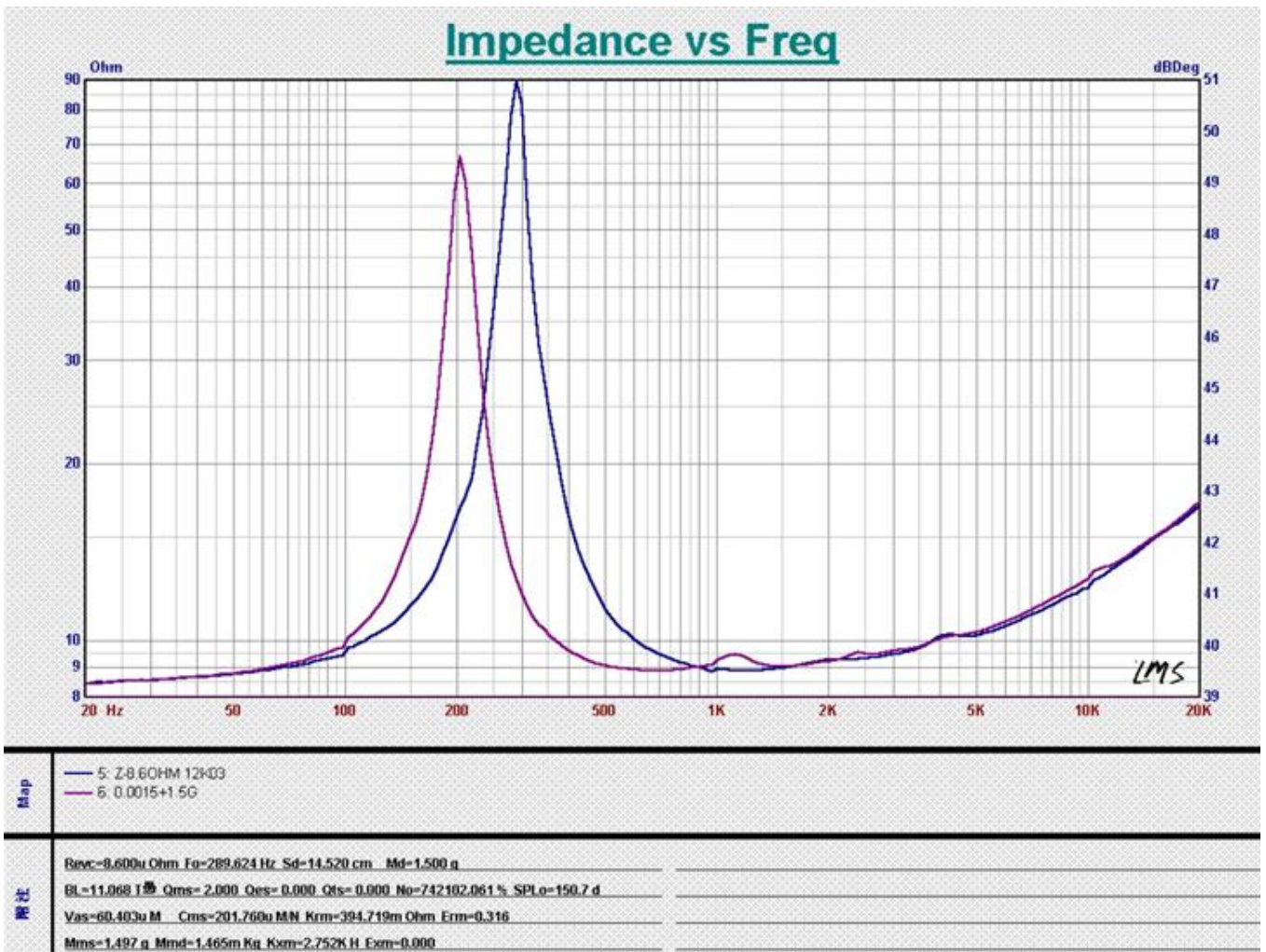
Art. Nr. 105014

Dimension:



Körperschalllautsprecher EXT-2512K03

Art. Nr. 105014



Version 1 / 04/2024