



# Elektrotechnik Karl-Heinz Mauz GmbH

Waterproof type ultrasonic sensor

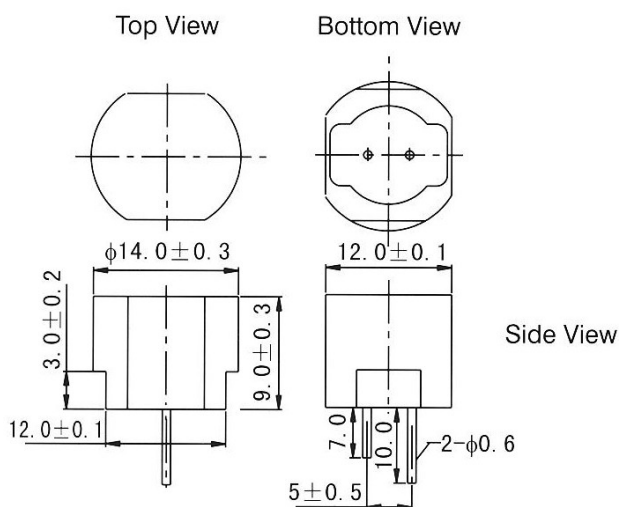
**EKULIT**

**A-14P30** (Artikel-Nr. 700550)

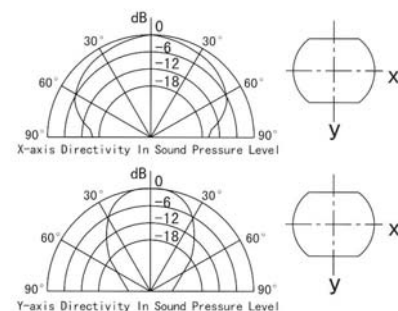
**SPECIFICATIONS:**

Item	Unit	Standard	Test condition: T=25±5°C
Function		Transmitting and receiving	
Terminal		Pin	
Housing Material		Aluminium	
Center frequency	KHz	40±1.0	
Transmitting S.P.L.	dB	>100	At 30cm/10Vrms Sine Wave 0dB=0.0002μ bar
Receiving Sensitive	dB	>-74	At 1V/μ bar
Directivity of X-axis	Deg	120±15	At “-6 dB” attenuation
Directivity of Y-axis	Deg	60±10	At “-6 dB” attenuation
Capacitance	PF	1600±20%	At 1KHz
Allowable Input Voltage (Vp-P)	V	140	At 40KHz Pulse width 0.4ms interval 10ms
Operating temperature	°C	-40~+80	
Storage temperature	°C	-40~+85	

Dimensions :  
(Unit: mm)



Directivity:



Picture:



Adresse: Felix-Wankel-Str. 35 • 73760 Ostfildern/Nellingen

Tel: +49-711/3414023

Fax: +49-711/3414024

E-mail: info@ekulit.de

Web site: www.EKULIT.de